

APPENDIX II

SANITARY SEWER LATERAL AND SANITARY SEWER CONNECTION

Before you Dig - Pennsylvania Act 187, Underground Utility Line Protection Law of 1996
Requires You Call Pennsylvania One Call 1-800-242-1776

1. General – Sanitary sewer lateral shall include connection to the public sewer, sight tee, test tee, clean-outs, running trap with fresh air vent, a grease trap where required, and connection to the building drain. Down-spouts, rain conductors, driveway drains, area drains, or french drains shall not be connected to the sanitary sewer lateral.
2. Size - Residential - 4" minimum diameter pipe that is installed to a minimum slope of 1/4" per foot. Non-Residential - 6" minimum diameter pipe that is installed to a minimum slope of 1/8" per foot.
3. Materials – The sanitary sewer lateral shall be Schedule 40 solid core PVC, except in the case of 6" pipe that may be SDR 35 or Schedule 40 solid core PVC. A running trap the same size as the sanitary sewer lateral with a vent pipe and plastic mushroom vent cap shall be installed no less than two (2) and no more than five (5) feet from the outer face of the outside wall. The pipe as it exits the building wall shall be installed at a minimum depth of 48". Vent pipes and clean-outs are not permitted to be located in driveways, cartpaths, walkways or other finished surface areas unless prior approval is granted by the Authority. The vent cap shall be installed 6" above grade to prevent the inflow of water into the sanitary sewer lateral.

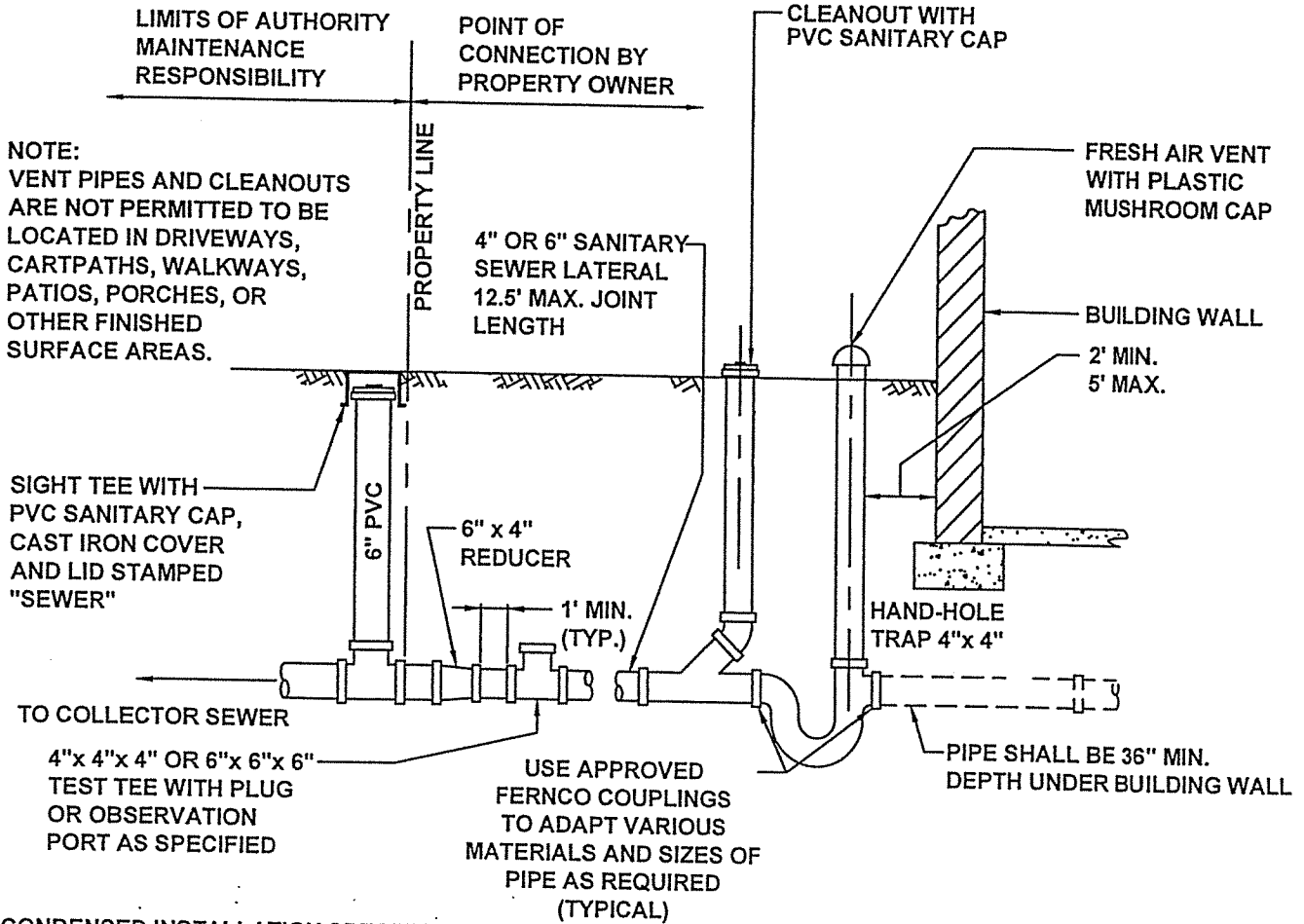
Food preparation establishments and other establishments at the discretion of the Authority shall install grease traps of a style and size acceptable to the Authority. Sinks in food preparation areas of these establishments shall also have under-sink grease traps.
4. Clean-Outs and Directional Changes - Clean-outs, consisting of a wye branch fitting, a curved fitting, riser pipe and a watertight cap are required every 100 feet or at all directional changes greater than 45 degrees. No 90 degree bends shall be permitted. No exceptions.
5. Adapters - Approved adapters as manufactured by Fernco, Inc., or approved equivalent, may be used to connect pipe joints, reduce 6" pipe to 4" and connect the building drain to the running trap. All adapters shall be stainless steel shielded couplings with stainless steel clamps or must be encased in concrete.
6. Installation - Before digging the trench, the installer should expose the sanitary sewer connection and the building drain. Trench width shall be kept to a minimum width and have uniform slope as near as possible at right angles to the street. Excavate all trenches

at least 6" below the bottom of the pipe. Place an aggregate gravel size (2B), in the trench to grade of the pipe. In dirt or water from entering the pipe. Place 12" of 2B sand ensuring uniform bedding to all sides of the pipe. The trench shall be backfilled with material from the original excavation. If a traffic area must be filled to the level of the existing surface, it shall be modified. The sanitary sewer lateral trench shall have a minimum horizontal separation and 18" vertical separation from other pipe lines, gas lines, french drains or storm sewers. An Authority representative shall visually inspect the backfilling of the sanitary sewer lateral.

7. Inspection - The Authority shall be notified at least 24 hours prior to the building drain, sanitary sewer lateral and related appurtenances. Inspection shall be conducted prior to the connection to the trap, unless the building drain and sanitary sewer lateral are to be inspected at the same date, and the trap shall be capped prior to inspection. The inspection shall consist of a pressure test for 5 minutes without any loss of pressure, or a hydrostatic test for a hydrostatically filled sanitary sewer lateral for 5 minutes, a visual inspection of the installation, and recording of pertinent information relating to the installation. Inspection shall not be scheduled until all Applications for Service have been approved. If an inspection does not pass inspection, a fee will be levied and must be paid before the sanitary sewer lateral will be scheduled.
8. Final Connection - If a completed connection to the building drain is made at the time of the installation of the sanitary sewer lateral, a trap shall be welded into the end of the lateral and shall not be removed. If a separate connection is made to the building drain and an Authority representative visually inspect the final connection and backfilling of the trench.
9. Final Inspection - Prior to the issuance of an Occupancy Permit, the Authority will conduct a final inspection of the property. All sanitary sewer facilities located within the property have been installed in accordance with Authority specifications. The Authority's inspection report shall be forwarded to Rostraver Township with the Occupancy Permit. Any deficiencies cited during the inspection shall be corrected prior to the Authority's release of the Final Inspection Report to the Township.
10. Grinder Pumps - Grinder pumps for individual sewer service shall be used only when gravity service is not available or when a grinder pump is recommended for this type of service is the only option. The Model DH071, as manufactured by Environment One, is the recommended model. E/One shall accept all maintenance responsibilities for E/One grinders. The homeowner entering into a service agreement with the Authority shall be responsible for the pumps and their operation, maintenance (if not an E/O grinders) shall not be the responsibility of the Authority, but that of the private owner.

11. Pressure Sewer Pipe 2-inch and Smaller - All 2-inch diameter pressure sewer pipe shall be SDR-21 and shall be marked with the manufacture's trademark confirming SDR 21. Pressure pipe smaller than 2-inch shall be SDR-21 or SIDR-7. SIDR-7 fittings shall be compression or hose barb using two stainless steel clamps per fitting. PVC pressure sewer pipe shall be extruded conforming to ASTM D-2241. PVC pipe fittings shall meet the requirements of ASTM D-1784. Joints shall meet the requirements of ASTM D-3139 and have rubber ring seals conforming to ASTM D-1869 and F-477.

12. Small Diameter Pressure Sewer Service Connections -The small diameter pressure sewer connection shall be made using a wye or tee fitting of the same material and joint configuration as the sewer at planned point of branch connection having a minimum 2-inch diameter branch connection. Install wye or tee followed by curb stop with valve box and a check valve and 1-½ inch or 1-¼ inch service connection. Curb stop shall be installed with a valve box at the property line or right of way line. Curb stop shall be 2-inch diameter similar or equal to Mueller 110 Oriseal (round port). Check valve shall be 2-inch diameter, Valmatic swing flex full body check valve with domed access cover or approved equal. Valve box shall be Tyler Series 6850, two-piece, ¼ inch shaft, screw type, No. 664-5 having an extension range of 36 to 60 inches. "Sewer" shall be cast into the lid. Reference Standard Details SD-032 and SD-033.

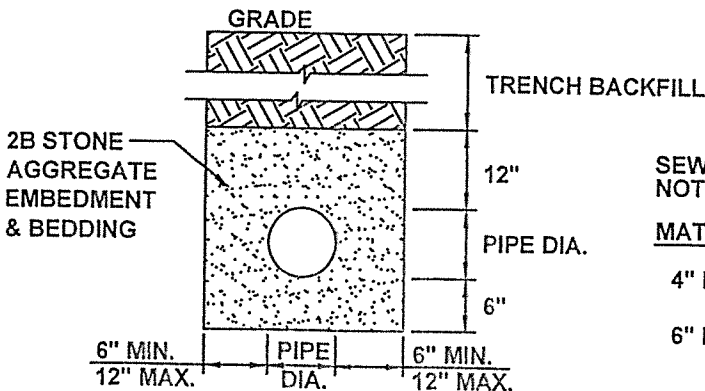


CONDENSED INSTALLATION SPECIFICATIONS

SANITARY SEWER LATERAL AND SANITARY SEWER SERVICE CONNECTIONS SHALL BE INSTALLED BY SKILLED WORKMEN AT THE COST OF THE CUSTOMER IN ACCORDANCE WITH APPENDIX II OF THE RULES AND REGULATIONS DETAILED SPECIFICATIONS OF THE AUTHORITY.

NOTE:

1. ALL PIPE SHALL BE 4" SCH. 40 SOLID CORE PVC OR 6" SCH. 40 SOLID CORE PVC OR SDR-35. SLOPE SHALL BE MIN. 1/4" PER FOOT FOR 4" LINE AND 1/8" PER FOOT SLOPE FOR 6" LINE.
2. CLEANOUTS ARE REQUIRED EVERY 100 FEET AND AT ALL DIRECTIONAL CHANGES GREATER THAN 45 DEGREES.



SEWER SERVICE LINE PIPE:
NOTE: ALL PVC MUST BE SOLID CORE

| MATERIAL | ASTM SPECIFICATIONS | JOINT | ASTM SPEC. |
|----------|---------------------|--------------|------------|
| 4" PVC | D-1875 SCH-40 | SOLVENT WELD | D-2564 |
| 6" PVC | D-3034 SDR-35 | ELASTOMERIC | D-3212 |

| | | |
|---|------------|---|
| ROSTRAVER TOWNSHIP SEWAGE AUTHORITY 1744 Rostraver Road Belle Vernon, PA 15012 | | SERVICE CONNECTION TO SANITARY SEWER LATERAL FROM A NEW INSTALLATION |
| Not to scale | April 2013 | Standard Detail SD-028 |